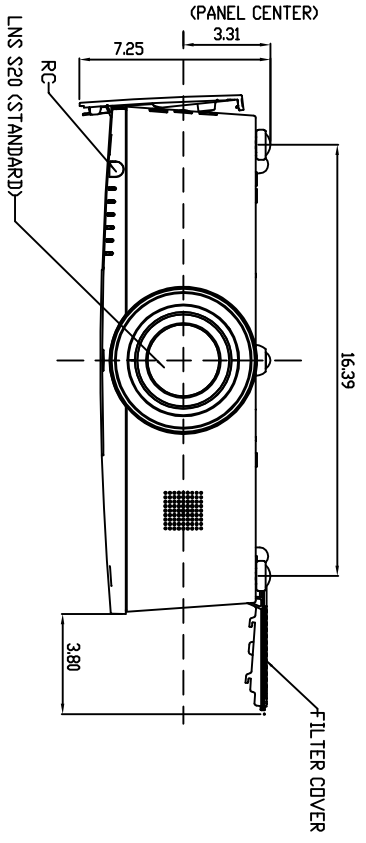
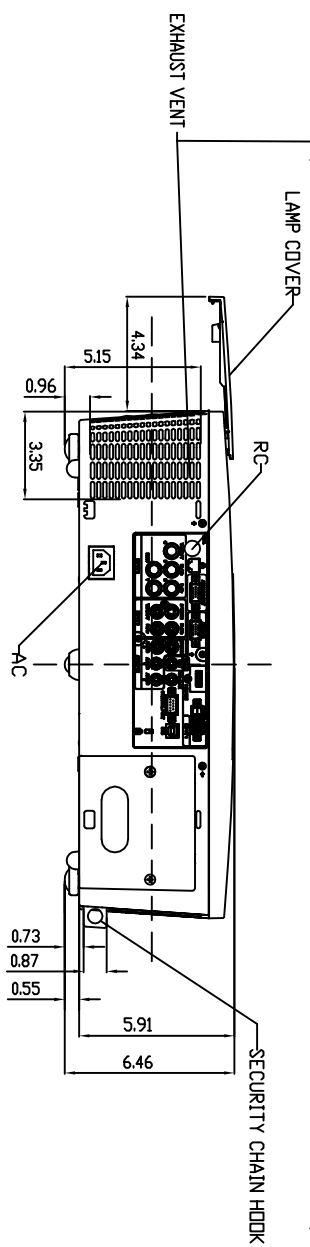
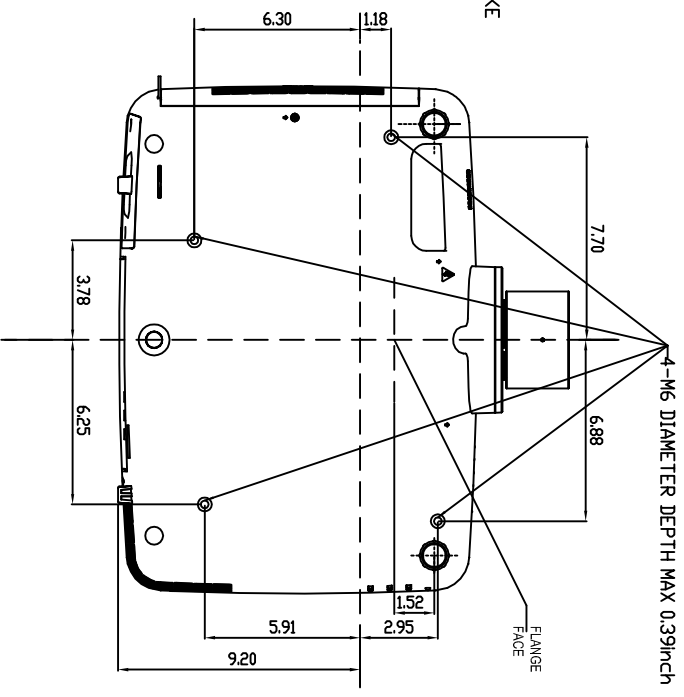
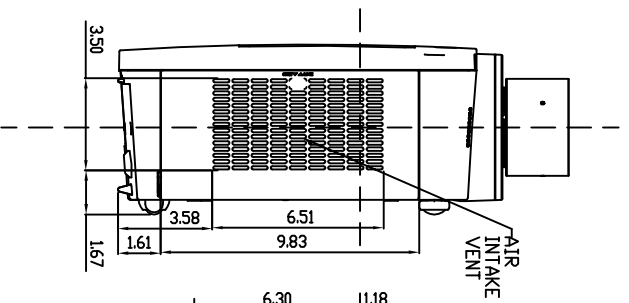
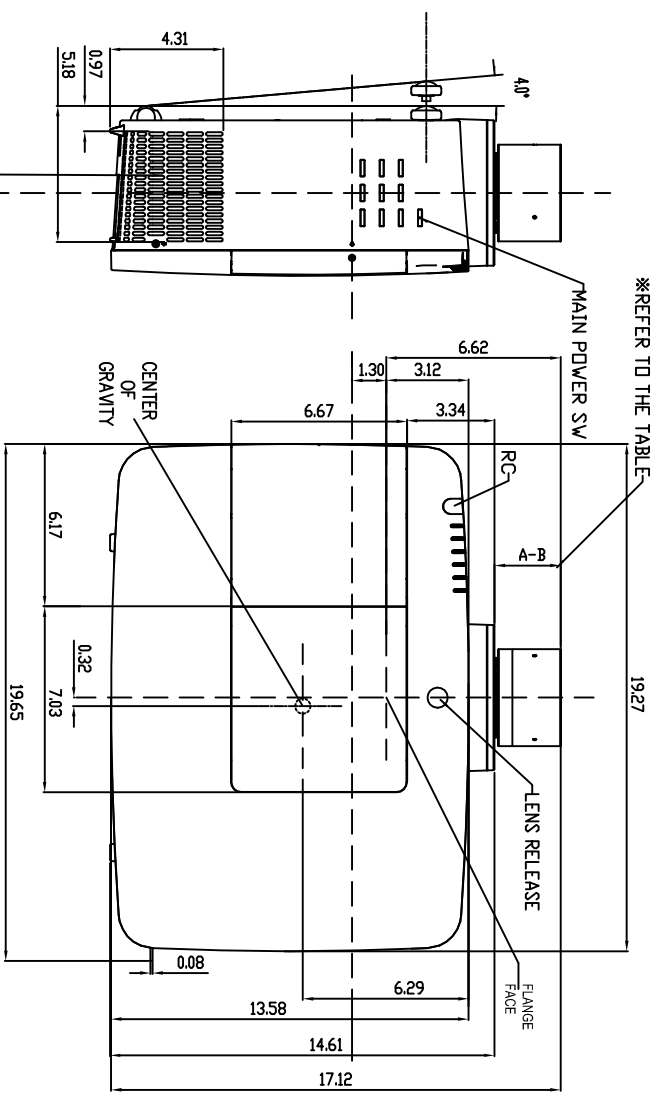


LENS	A (TELE)	B (WIDE)
LNS-S20	2.51(Fixed)	
LNS-T20	3.47(Fixed)	
LNS-T21	3.32(Fixed)	
LNS-W20	3.29(Fixed)	
LNS-W21	2.12(Fixed)	



PK	DATE	REVISION
20100816		

KHE2A      Inch  
 DIM: (W) 19.27 X (H) 5.91 X (D) 13.58  
 DIM: (W) 19.27 X (H) 6.46 X (D) 14.61(17.12)  
 (Including protrusion)



REFER TO THE TABLE

4-M6 DIAMETER DEPTH MAX 0.39inch